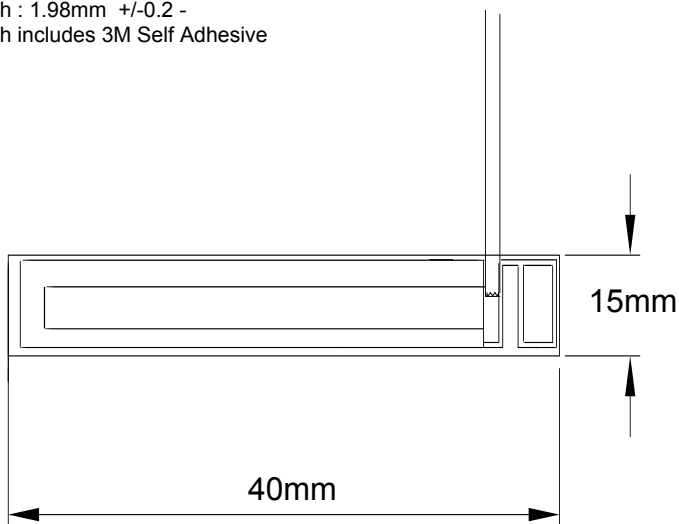


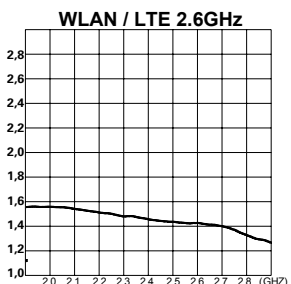
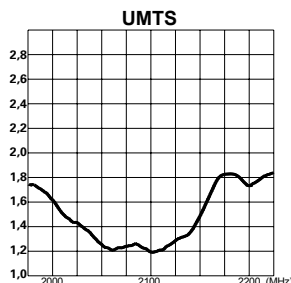
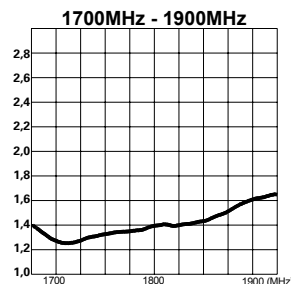
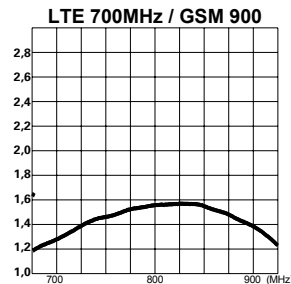
Depth : 1.98mm +/-0.2 -
Depth includes 3M Self Adhesive Pad



CAD DRAWINGS



PRODUCT PICTURE



VSWR

| | |
|-------------------------|--|
| Frequencies | 700-960MHz / 1700-2100MHz / 2500-2700MHz |
| Impedance | 50Ω |
| Gain | 2.14dBi |
| Material | FR4 |
| Polarisation | Vertical |
| VSWR | As per charts |
| Connector | As per customer specification |
| Cable Type / Length | As per customer specification |
| Maximum Input Power | 50w |
| Fixing Method | 3M Self Adhesive Strip |
| Weight | 11g |
| Operational Temperature | -40°C to +85°C |
| Humidity | 100% @ 25°C |

TECHNICAL SPECIFICATION

The bloomice 4GMOD-40-15 2G/3G and 4G (LTE) FR4 PCB embedded antenna is secured in to position with a self adhesive fixing strip and is supplied with a low loss cable type and length as well as connector to suit any application.

The bloomice 4GMOD-40-15 PCB is a single product solution for applications requiring excellent performance at tuned points from 700MHz through to and including 2700MHz.

The bloomice 4GMOD-40-15 PCB embedded antenna is a superb 'all round' solution that provides excellent performance across a wide bandwidth making it ideally suited for use with many of today's IOT products, POS products, security products, evaluation kits and in any environment where reliability is paramount.

PRODUCT FEATURES