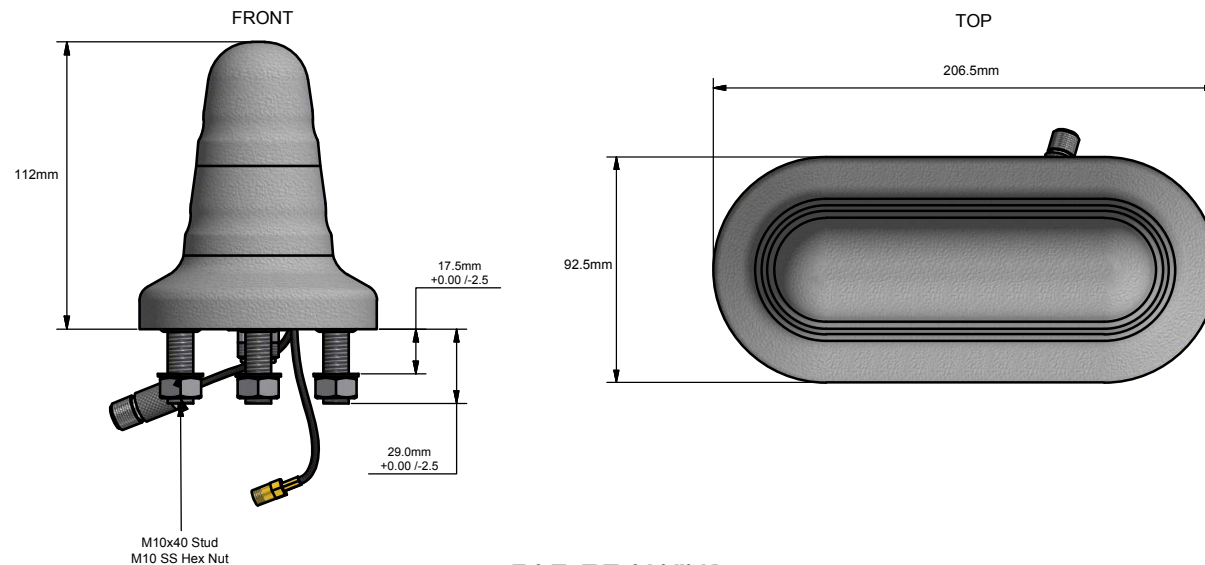


The bloomice ALETA-R is a rugged, low profile antenna that was originally designed for use on public transport systems, high speed trains, buses and trucks.

A 10mm aluminium base plate is secured in to position via 3 off M10 x 40 bolts and overmoulded with a UV Stabilised ABS cover. The complete assembly is approved for use on rail infrastructure networks operating up to 50kV.

The bloomice ALETA-R is available with customised functionality meaning that any combination of operating frequencies can be integrated according to customer specific requirements. Functions include VHF, ORBCOMM, UHF (TETRA), GSM-R (2G/3G), LTE (4G), GPS, WIFI (2.4-5.8GHz) and IRIDIUM. Where applicable, functionality can also be provided with 'Multi In, Multi Out' (MIMO) elements.

PRODUCT OVERVIEW



CAD DRAWING



PRODUCT PICTURE

Electrical Specification(s)

	VHF	TETRA	UHF	ORBCOMM	GSM-R/900	GSM-R/1800	GPS	WIFI / ISM	IRIDIUM
	140-174MHz	380-400MHz	450-470MHz	254-268MHz	876-960MHz	1710-2500MHz	1575.42MHz	2.3-2.7GHZ / 5.8GHz	1626MHz
Nominal Gain	< Unity	< Unity	< Unity	< Unity	2.14dBi	2.14dBi	26dB	2.14dBi	3dBic
VSWR	<1.5:1	<1.5:1	<1.5:1	<1.5:1(265)	<2:1	<2:1	<2:1	<2:1	<2:1
Radiation	OMNI	OMNI	OMNI	OMNI	OMNI	OMNI	HEMI	OMNI	HEMI
Polarisation	Vertical	Vertical	Vertical	Vertical	Vertical	Vertical	RHCP	Vertical	RHCP
Rated Power	25w	25w	25w	25w	8w	8w	-	8w	-
Impedance	50Ω	50Ω	50Ω	50Ω	50Ω	50Ω	50Ω	50Ω	50Ω
Noise Figure	-	-	-	-	-	-	2dB Max.	-	2dB Max.
Amplifier DC	-	-	-	-	-	-	3-5v DC	-	3-5v DC

Mechanical Specification

Dimensions	As per CAD Drawing
Net Weight	485g
Operational Temperature	-40°c to +85°c
Humidity	100% @ 25°c
Mounting	3 x M10 Studs (4 Studs on request)
Colour	Black / White (Others on request)
Protection	IP67

TECHNICAL DATA