

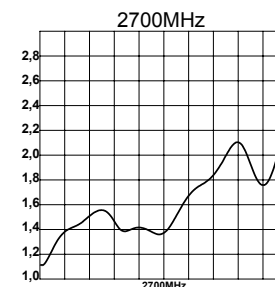
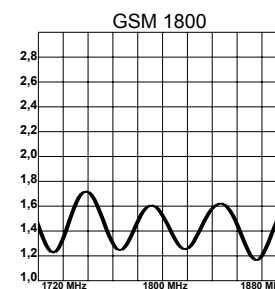
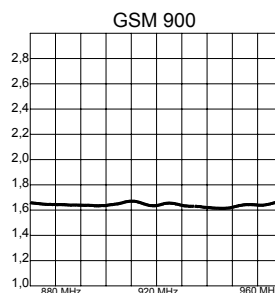
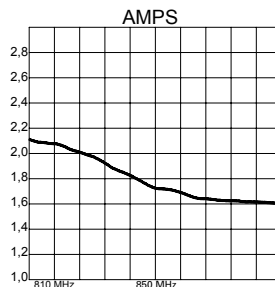
The bloomice LPW-80/LTE Ceiling Mounted Omni-directional antenna is a robust versatile antenna designed for use in any internal environment where excellent performance across all 2G/3G/4G bands is essential.

The internal element is embedded within a rugged hermetically sealed ABS dome shape housing.

The integrated components comprise of a series of copper overlaid tuned elements positioned to provide exceptional VWSR and radiating performance.

The bloomice LPW-80/LTE antenna is perfectly suited for use with any IOT application. It is supplied with a low loss RG213 500mm tail to an N Type Female connector.

PRODUCT OVERVIEW



TYPICAL VSWR

2G/3G/4G Element

Polarisation	Omni-directional
Frequency Range - Quadband PCB Frequency Range - 8PCB	850MHz, 900MHz, 1.8GHz, 1.9GHz, 2.1GHz 2400 2700MHz
Gain	3.5dBi
Power Handling	100W
Impedance	50Ω

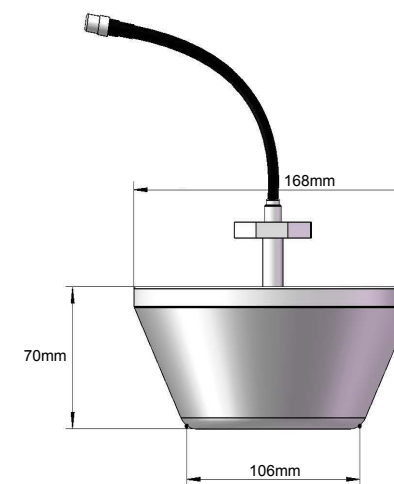
Physical Characteristics

Dimensions	As Per CAD Details
Net Weight	300g
Operational Temperature	-40°c to +85°c
Humidity	100% @ 25°c
Connector	N Type Female
Cable Type	RG213 White
Cable Length	500mm

SPECIFICATION



PRODUCT PICTURE



CAD DRAWING