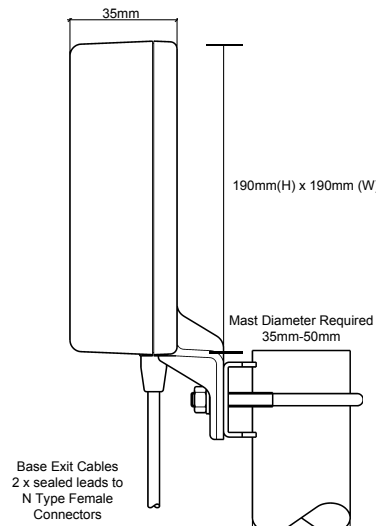


The bloomice PAN-P-LTE-190 is a high quality, rugged, pole mounted MIMO antenna designed for service providers and users in the 2G, 3G and 4G LTE bandwidth(s).

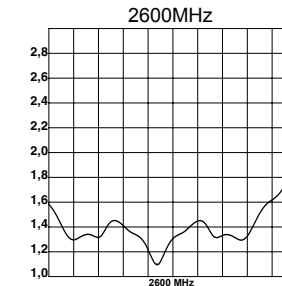
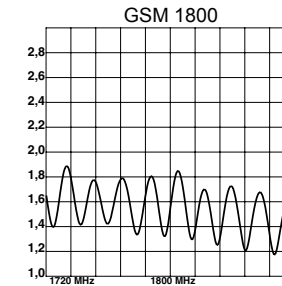
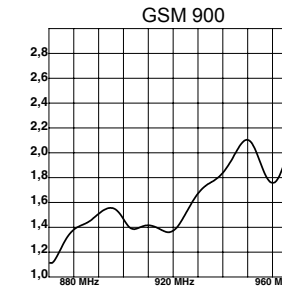
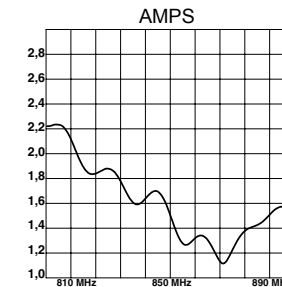
With integrated vertically and horizontally polarised elements the bloomice PAN-P-LTE-190 is perfectly suited for any externally IOT application.

It is constructed using a compact 190mm x 190mm x 35mm heavy duty UV stable fibreglass enclosure and it is able to enjoy winds speeds in excess of 210Km/Hr (130mph) and operating temperatures of -40°C to +75°C. The bloomice PAN-P-LTE-190 is fully RoHS and WEEE compliant.

PRODUCT OVERVIEW



CAD DRAWING



TYPICAL VSWR

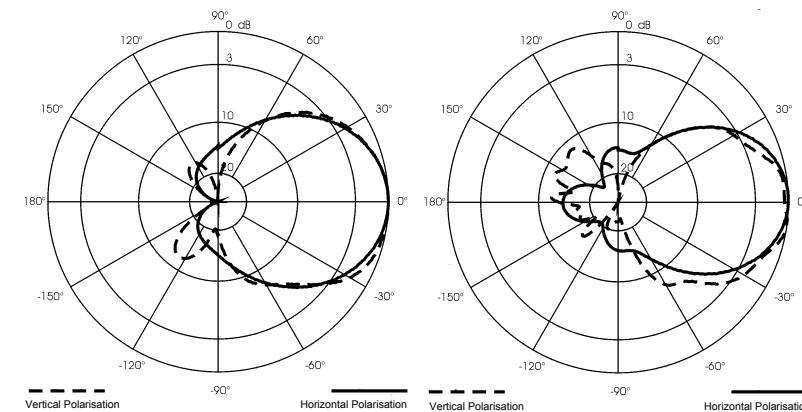


PRODUCT PICTURE

Electrical Characteristics	
Beamwidth	Horizontal 120° / Vertical 15°
Polarisation	Horizontally and Vertically
Frequency Range / Bandwidth	800MHz, 850MHz, 900MHz, 1800MHz, 1900MHz, 2100MHz, 2400MHz, 2600MHz
VSWR Max.	<1.5
Nominal Impedance	50Ω
Max. Input Power	100w
Gain	8dBi

Physical Characteristics	
Protection	IP67
Net Weight	1.2kg
Operational Temperature	-40°C to +75°C
Dimensions	190mm x 190mm x 35mm
Connector	N Type Female (x2)
Rated Wind Velocity	210Km/Hr (130mph)
Radome Material	UV Stable Fibreglass

TECHNICAL DATA



RADIATING PATTERN - 2600MHz