

The bloomice BODY ADYNA GPS - REC antenna is a robust versatile body mounted antenna incorporating a Mediatek MT3329 GPS receiver, designed for use in challenging environments where excellent performance across all bands is essential.

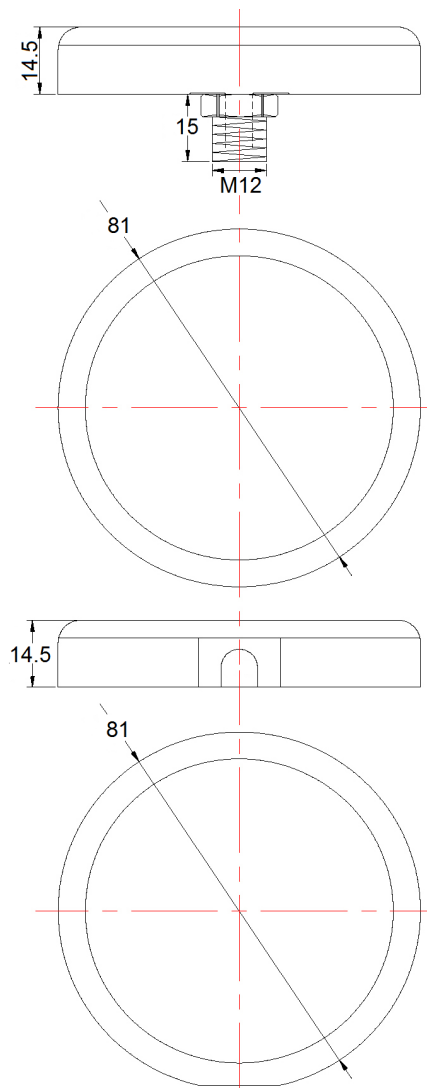
The receiver 25mm x 25mm ceramic element are embedded within a rugged ABS housing. An integrated M12 thread / M13 split nut ensures a solid electrical and mechanical connection.

The bloomice BODY ADYNA GPS - REC antenna is perfectly suited for use within the automotive industry, transportation sector, marine environments and with any externally sited data or location transfer application.

**PRODUCT OVERVIEW**



**PRODUCT PICTURE**



**PRODUCT DRAWING**

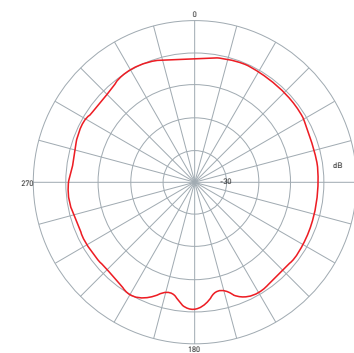
GPS Information

Frequency	1574.42MHz (+/- 1.023MHz)
Gain	3dBic
Receiver	Mediatek MT3329 (Conforming to AEC-Q100)
GPS Antenna Element	Ceramic Patch 25mm x 25mm x 4mm
Amplification (LNA)	26dB @ 3.3v / 28dB @ 5v
Current Consumption	60mA Max. at ECO Mode
Operational Voltage	2.7v to 6v DC
Polarisation	RHCP

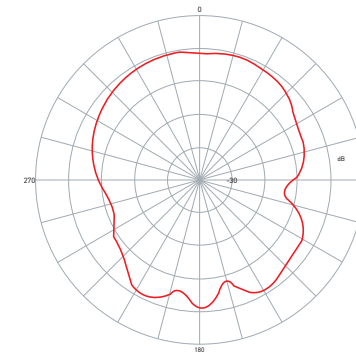
Physical Characteristics

Material	ABS Black
Net Weight	76g
Operational Temperature	-40°C to +85°C
Humidity	100% @ 25°C
Connector	Molex Block 5557-04 & Pins 5556
Cable Type	UL2725
Cable Length	2500mm

**SPECIFICATION**



XZ Plane



YZ Plane

**RADIATION PATTERNS**