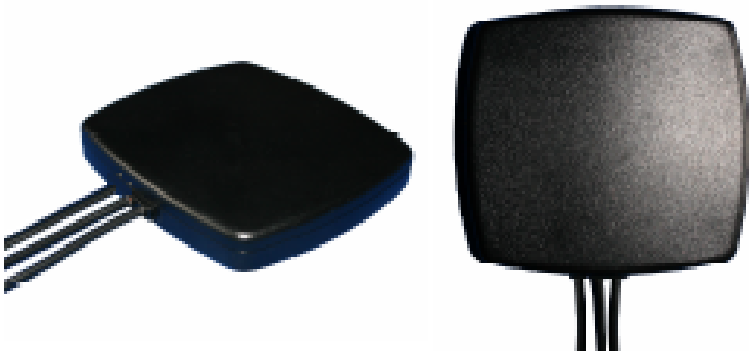


The bloomice REM MAG GPS/GSM/WIFI combination antenna is a robust versatile magnetic mounted antenna designed for use in any external environment where excellent performance across all bands is essential.

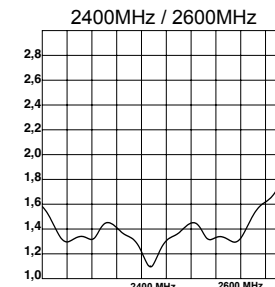
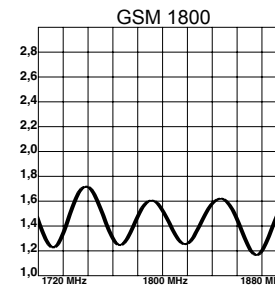
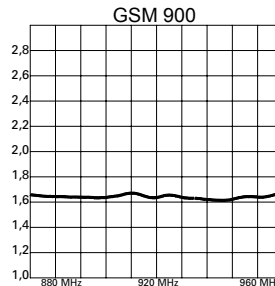
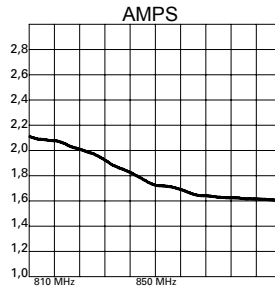
The three separate GPS, GSM and WIFI elements are embedded within a tough hermetically sealed ABS housing. The integrated components comprise of a 26mm x 26mm amplified two stage GPS patch placed alongside two separated FR4 PCB elements.

The bloomice REM MAG GPS/GSM/WIFI combination antenna is perfectly suited for use within the automotive industry, transportation sector, marine environment and with any externally sited data transfer application.

PRODUCT OVERVIEW



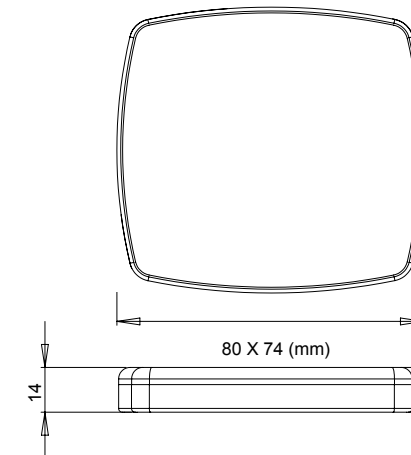
PRODUCT PICTURE



TYPICAL VSWR

GPS Information	
Frequency	1574.42MHz (+/- 1.023MHz)
Impedance	50Ω
Power (Max.)	125mW
Amplification (LNA)	26dB @ 3.3v / 28dB @ 5v - A single stage option is also available
Current Consumption	15mA - 25mA
Operational Voltage	2.7v to 5.5v
Polarisation	RHCP
GSM & WIFI Elements	
Polarisation	Horizontal
Frequencies - GSM Element	850MHz,900MHz,1.8GHz,1.9GHz,2.1GHz
Frequency - WIFI Element	2400MHz
Gain	0dBi@850-900MHz / 2.2dBi@1.8-2.4GHz
Power Handling	50w
Impedance	50Ω
Physical Characteristics	
Dimensions	As per CAD drawing
Net Weight	102g
Operational Temperature	-40°C to +85°C
Humidity	100% @ 25 °C
Connector	According to customer specification
Cable Type	RG174 Black
Cable Length	According to customer specification

SPECIFICATION



CAD DRAWING