

The bloomice TAJO GPS/GSM QUADBAND combination antenna is a robust versatile self adhesive antenna designed for use in any internal environment where excellent performance across all bands is essential.

The GPS & QUADBAND elements are embedded within a tough hermetically sealed ABS housing. The integrated components comprise of a 26mm x 26mm amplified two stage GPS patch placed alongside a QUADBAND FR4 element.

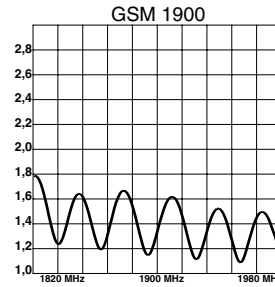
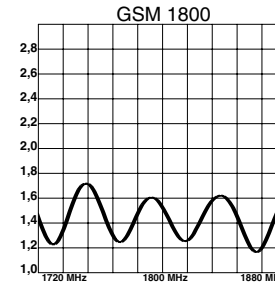
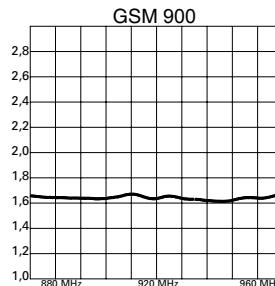
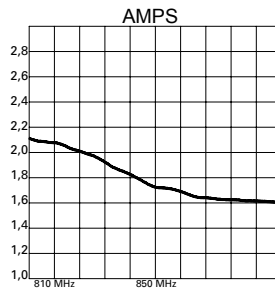
A high grade 3M self adhesive fixing pad provides a strong permanent fixing at temperatures as low as -50°C through to +95°C.

The bloomice TAJO GPS/GSM QUADBAND combination antenna is perfectly suited for use within the automotive industry, transportation sector, marine environment and with any externally sited data transfer application.

PRODUCT OVERVIEW



PRODUCT PICTURE



TYPICAL VSWR

GPS Information

Frequency	1574.42MHz (+/- 1.023MHz)
Impedance	50Ω
Power (Max.)	125mW
Amplification (LNA)	26dB @ 3.3v / 28dB @ 5v - A single stage option is also available
Current Consumption	15mA - 25mA
Operational Voltage	2.7v to 5.5v
Polarisation	RHCP

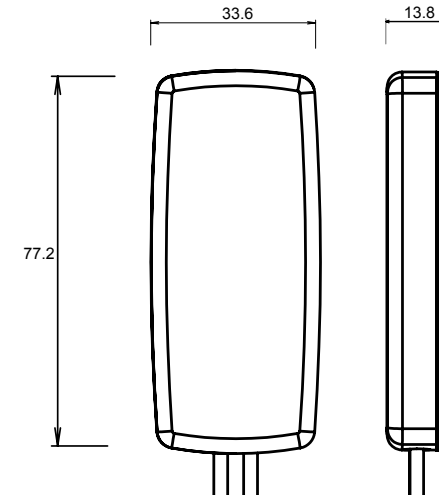
GSM Information

Polarisation	Horizontal
Frequency	850MHz, 900MHz, 1800MHz, 1900MHz 2100MHz, 2400MHz
Gain	0dBi
Power Handling	50w
Impedance	50Ω

Physical Characteristics

Dimensions	As per CAD drawing
Net Weight	65g
Operational Temperature	-40°C to +85°C
Humidity	100% @ 25°C
Connector	According to customer specification
Cable Type	RG174 Black
Cable Length	According to customer specification

SPECIFICATION



CAD DRAWING

