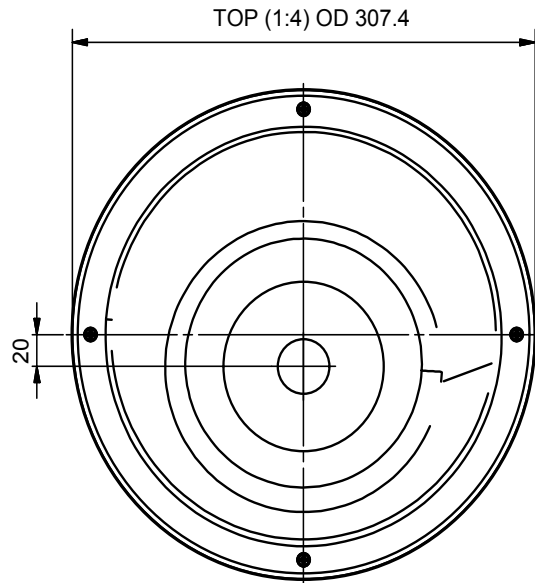
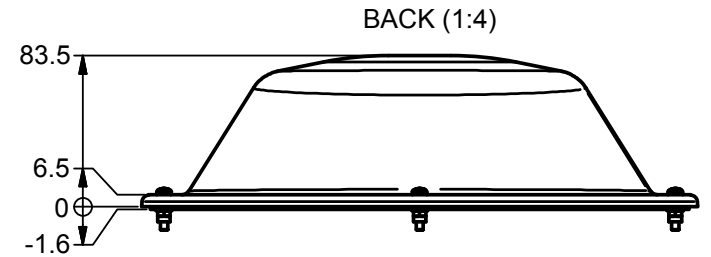
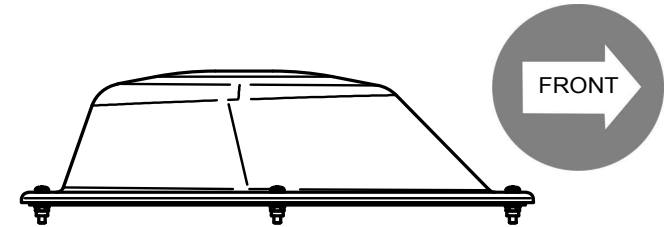
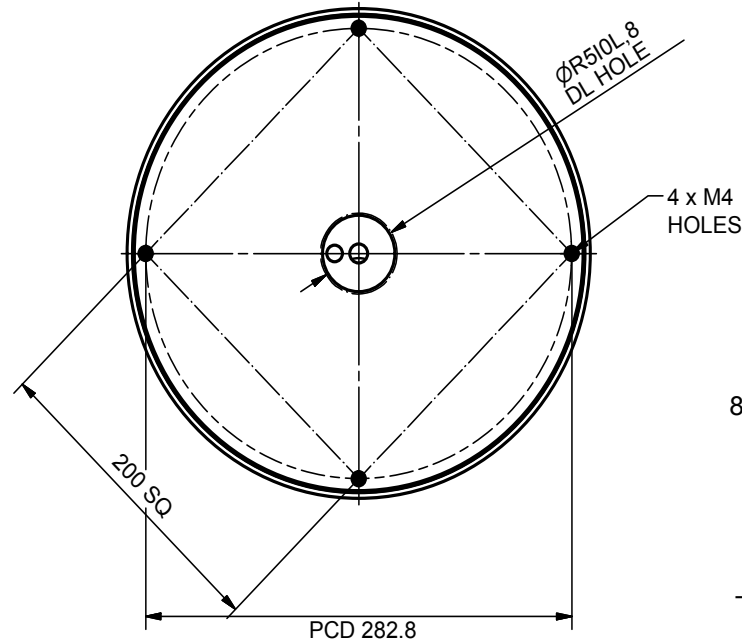


**Product Specification**

Part Number	LP-B Tuned to specification
Material	UV Stabilised ABS
Lead Free / RoHS Compliant	Yes
Colour	Black or White
Fixing	Fixing points details below (fixing bolts not supplied)
Operating Temperature	-45°C to +75°C



**BOTTOM (1:4)  
DRILLING  
DETAILS**



Dimensions in mm

DRN by D Faillard	Checked Clarke	Approved Date 30/04/12	<b>NOT TO SCALE</b>	Date April 2012	
			BLOOMICE LP-B LOW PROFILE ABS RANGE		
			Code BM-02***	Edition Original	Sheet 01

