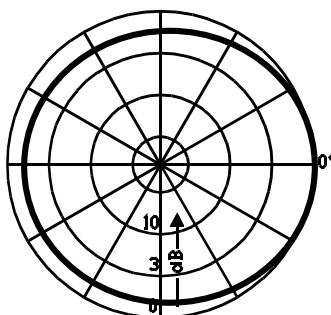
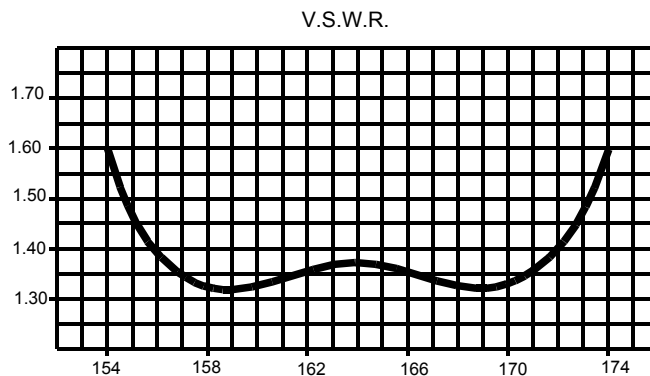
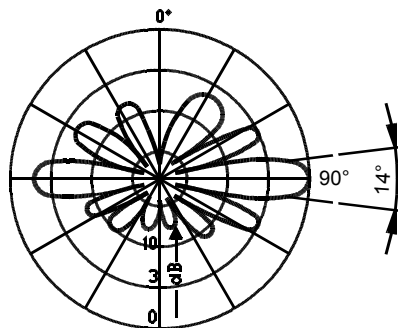


PRODUCT PICTURE



E-PLANE



H-PLANE

VSWR & RADIATING PATTERNS

Polarisation	Vertical
Frequency	140MHz - 174MHz
Gain	6.1dBi
VSWR	< 1.5:1
Beamwidth -3dB	Reference Radiation Pattern
Impedance	50 Ohms
Cable / Connector	RG213 / N Type Female
Maximum Power Rating	300w
Element / Boom	Aluminium EN AW-6082 / Aluminium Alloy EN AW-6060
Operational Temperature	-40°c to +85°
Dimensions (max.)	4000mm x 700mm x 500mm
Weight	1.2kg / 2.65lbs
Protection	IP66
Rated Wind Velocity / Horizontal Thrust	119.93mph (193km/h) / 8.2kg (18.1lbs)

TECHNICAL SPECIFICATION

The bloomice DIP-Q-140-174 is a high performance, high quality 140MHz-174MHz antenna kit, comprising of four pole mounted, folded dipole antennas, arranged to provide performance stability with an impressive 6dBi of gain across the whole spectrum.

The phosho-chromium plated elements and boom combine to ensure the structure provides long-term performance excellence, even in the most challenging of environments.

All metallic elements within the core structure of the antenna are DC grounded to ensure extraneous noise levels caused by atmospherical changes are appropriately dissipated.

PRODUCT FEATURES