

**U.FL Connector**

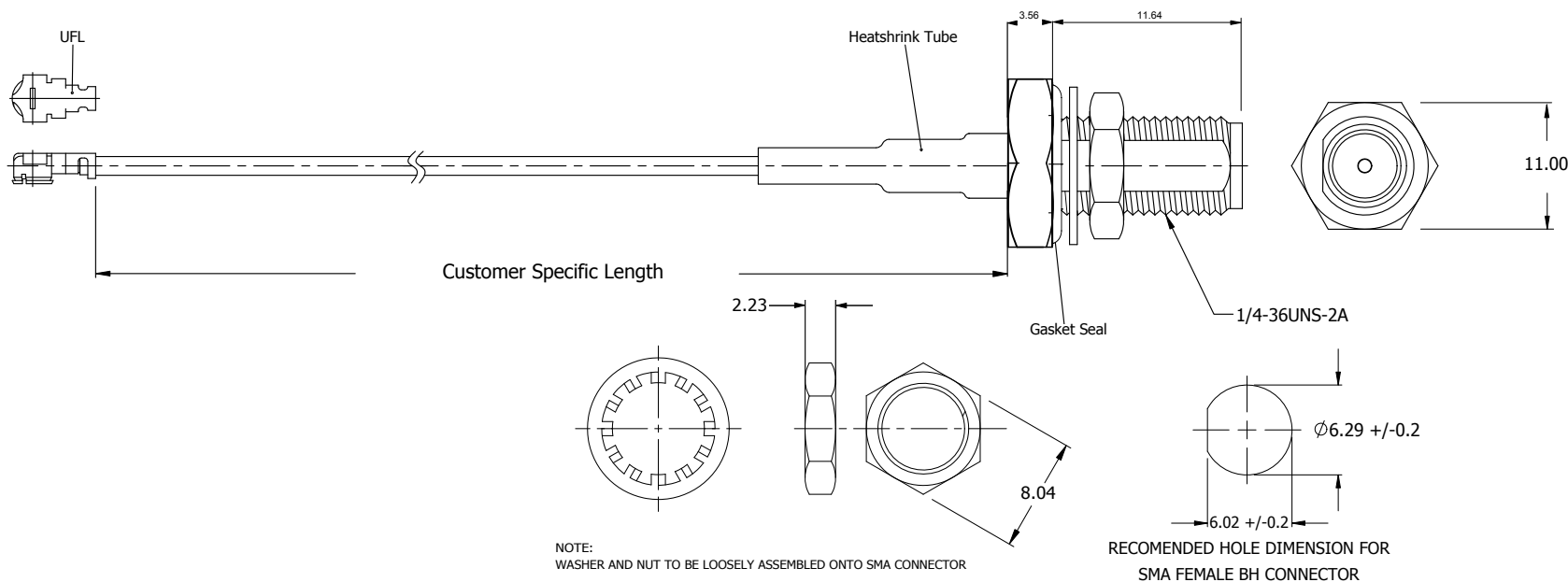
Nominal Impedance	50Ω
Frequency	DC-6GHz
Rated Voltage	60v R.M.S. (AC)
VSWR 0.1-3GHz / 3-6GHz	1.3 Max. / 1.4 Max.
Torque Value	40.71 +/- 10% KGf-CM
Operating Temperature	-40°C to +90°C

**Cable Specification**

Overall Diameter	1.32mm
Conductor	AWG#32 (7/0.08), Silver Plated Annealed Copper
Insulation	Diameter 0.68mm (+0.04mm/-0.02mm), Nominal Thickness 0.22mm
Braid	16/4/0.05, Nominal Diameter 0.93mm, Silver Plated Annealed Copper
Jacket	Diameter 1.13mm (+0.08mm/-0.05mm), Nominal Thickness 0.1mm, Fluoro-Plastic
Characteristic Impedance	50(+2,-2)Ω (TDR Method)
Nominal Capacitance	520Ω/km
Insulation Resistance	1500MΩ/KM (Min.)
Dielectric Withstand (v)	No breakdown @ 1000v AC / 60 seconds

**SMA Female Bulkhead IP65**

Nominal Impedance	50Ω
Frequency	DC-3GHz
Working Voltage	100v R.M.S. at Sea Level
VSWR @ 0.1GHz - 3GHz	1.5:1
Torque Value	40.71 +/- 10% KGf-CM
Operating Temperature	-45°C to +85°C



DRN by D Faillard	Checked by M Clarke	Approved 27/05/2015	NOT TO SCALE	Date MAY 2015	
			Cable U.FL / SMA F BH IP65 1.32 Diameter		
			Code BM-06382	Revision A	Sheet 01

